

GX Microscopes

product datasheet

Materials Microscopes

Routine, Research & Semiconductor
Materials Microscopes

UPRIGHT SERIES



GXML2003AHTG
ROUTINE & TEACHING
Reflected Light
for Metallurgy



GXML3003
ROUTINE & RESEARCH
Reflected Light
for Metallurgy



GXML3030
ROUTINE & RESEARCH
Reflected & Transmitted
Light
for Materials



GXML3230BD
RESEARCH
Reflected & Transmitted
Light (darkfield
reflected)
for Materials



GXMXJL101A
ROUTINE & RESEARCH
Reflected Light
With large glide stage
for Semiconductors

INVERTED SERIES



GXMXJL17AT
ROUTINE & RESEARCH
Reflected Light for
Metallurgy



GXMXJL20
RESEARCH
Reflected Light for
Metallurgy

GXMXJL20BD
RESEARCH
Reflected Light with
Darkfield for Metallurgy

A range of high quality, versatile materials microscopes widely used in industry, research and university teaching. They provide great value for money with high optical performance and robust, durable designs

GX Microscopes

product datasheet

Routine, Research & Semiconductor Upright Materials Microscopes



**GXML2003AHTG Trinocular
Reflected Light
Metallurgical Microscope**

A robust good quality traditional metallurgical microscope equipped with a trinocular head ready for the attachment of a digital camera. This microscope includes a full set of high quality plan achromatic metallurgical objectives on a reversed objective turret. Specimens can be placed on the mechanical stage with controls for XY stage and focus control. The focussing tension can be adjusted and a focus lock protects the objectives from damage. Illumination is provided from an integral 20W halogen lamp with adjustable intensity, field and aperture diaphragms, polariser and set of Y, G, B and diffusion filters.

This microscope is based on GX Microscopes L2000 series traditional microscope frame which provides a robust and a durable platform suitable for the most demanding of applications.

Options include a range of camera adapters, digital cameras, image analysis software, additional objectives and eyepieces.



**GXML3003 Trinocular
Reflected Light
Metallurgical Microscope**

A high quality metallurgical microscope equipped with a trinocular head ready for the attachment of a digital camera. This microscope includes a full set of high quality plan achromatic metallurgical objectives on a modern reversed objective turret. Specimens can be placed on the mechanical stage with ergonomically positioned controls for XY stage and focus control. The focussing tension can be adjusted and a focus lock protects the objectives from damage. Illumination is provided from an integral 20W halogen lamp with adjustable intensity, field and aperture diaphragms, polariser and set of Y, G, B and diffusion filters.

This microscope is built on GX Microscopes most popular and highly robust L3000 series elegant microscope frame which provides high stability and a durable platform suitable for the most demanding of applications.

Options include a range of camera adapters, digital cameras, image analysis software, additional objectives and eyepieces.

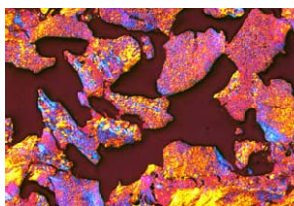
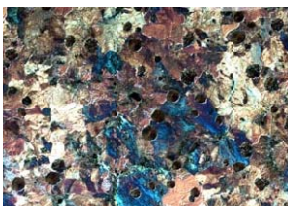


**GXML3030 Trinocular
Reflected and Transmitted
Light Materials Microscope**

A high quality materials microscope equipped with a trinocular head ready for the attachment of a digital camera. This microscope includes a full set of high quality plan achromatic materials objectives on a modern reversed objective turret. Specimens can be placed on the mechanical stage with ergonomically positioned controls for XY stage and focus control. The focussing tension can be adjusted and a focus lock protects the objectives from damage. Illumination is provided from an integral reflected light illuminator with a 20W halogen lamp with adjustable intensity, field and aperture diaphragms, polariser and set of Y, G, B and diffusion filters. Transmitted light is from a 20W halogen lamp with adjustable intensity and field diaphragm for koehler illumination, projected through an adjustable aperture condenser on a rack and pinion with a blue and diffusion filters supplied.

This microscope is built on GX Microscopes most popular and highly robust L3000 series elegant microscope frame which provides high stability and a durable platform suitable for the most demanding of applications.

Options include a range of camera adapters, digital cameras, image analysis software, additional objectives and eyepieces.



GX Microscopes

product datasheet

Routine, Research & Semiconductor Upright Materials Microscopes



**GXML3230BD Trinocular
Reflected (BF/DF) and Transmitted Light,
Research Grade, Materials Microscope**

A substantial, top quality materials microscope equipped with infinity optics, darkfield / brightfield incident illumination and transmitted light. It also has a trinocular head ready for the attachment of a digital camera.

This microscope includes a full set of high quality infinity BD plan achromatic materials objectives on a modern reversed objective turret. Specimens can be placed on the mechanical stage with ergonomically positioned controls for XY stage and focus control. The focussing tension can be adjusted and a focus lock protects the objectives from damage.

Illumination is provided from an integral reflected light illuminator with a 50W halogen lamp with adjustable intensity, darkfield / brightfield insert field and aperture diaphragms, polariser and set of Y, G, B and diffusion filters. Transmitted light is from a 50W halogen lamp with adjustable intensity and field diaphragm for koehler illumination, projected through an adjustable aperture condenser on a rack and pinion with a blue and diffusion filters supplied

This microscope is built on GX Microscopes latest and highly acclaimed L3200 series research microscope frame which provides high stability and a durable platform suitable for the most demanding of applications.

Options include a range of camera adapters, digital cameras, image analysis software, additional objectives and eyepieces.



**GXMXJL101A Trinocular
Reflected Light
Semiconductor Microscope**

A highly stable, substantial microscope suitable for viewing silicon wafers, assemblies and standard metallurgical reflective specimens.

It is equipped with a trinocular head ready for the attachment of a digital camera. This microscope includes a full set of high quality plan achromatic materials objectives.

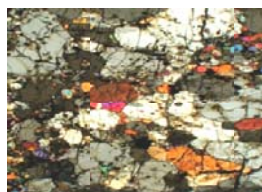
Specimens can be placed on the mechanical stage with controls for XY stage movement including a rapid traverse override control, perfect for scanning over large areas.

The focussing tension can be adjusted and a focus lock protects the objectives from damage.

Illumination is provided from an integral reflected light illuminator with a 20W halogen lamp with adjustable intensity, field and aperture diaphragms, polariser and set of Y, G, B and diffusion filters

This microscope is built on GX Microscopes most substantial and highly robust XJL upright series industrial microscope frame which provides high stability and a durable platform suitable for the most demanding of applications.

Options include a range of camera adapters, digital cameras, image analysis software, additional objectives and eyepieces.



GX Microscopes

product datasheet

Routine, Research & Semiconductor Inverted Materials Microscopes



**GXMXJL17AT Inverted Trinocular
Reflected Light
Metallurgical Microscope**

One of GX Microscopes most popular metallurgical microscopes the GXMXJL17AT is simple to use, especially where you need to examine many specimens with frequent changes of polished 'micros'. The inverted microscope means that each successive specimen is immediately in focus and it is also very useful for large specimens that cannot fit under an upright microscope model.

The microscope is equipped with a trinocular head ready for the attachment of a digital camera. This microscope includes a full set of high quality plan achromatic metallurgical objectives mounted under the stage. The focussing tension can be adjusted and a focus lock protects the objectives from damage. Illumination is provided from a 20W halogen lamphouse with adjustable intensity, field and aperture diaphragms and set of Y, G, B and diffusion filters.

This microscope is built on GX Microscopes' highly robust XJL inverted series microscope frame which provides a stable and durable platform suitable for the most demanding of applications.

Options include a range of camera adapters, digital cameras, image analysis software, additional objectives and eyepieces.

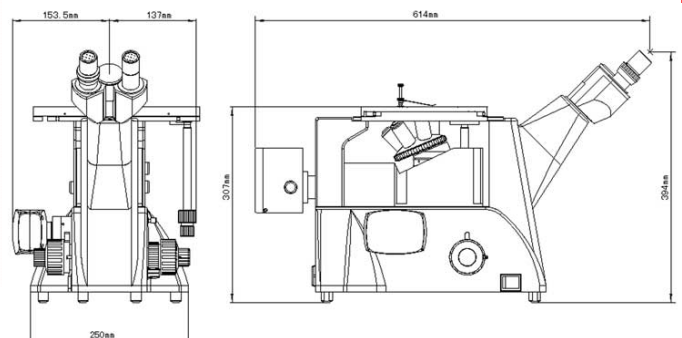
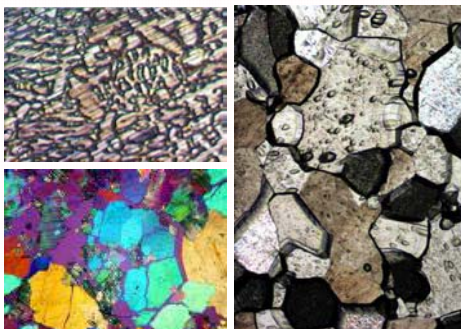


**GXMXJL20 & BD Inverted, Brightfield &
Darkfield, Reflected Light with Camera
Port, Metallurgical, Research Grade
Microscope**

GX Microscopes most advanced and latest inverted microscope featuring superb UIS optics and a full range of functionality including darkfield (in the BD version) and polarised light. Built on the latest design ergonomic frame and equipped with a side camera port this microscope is very high quality yet simple to use

This microscope includes a pair of 10X eyepieces with a wide field number of 22mm, a full set of high quality infinity corrected, long working distance, darkfield/brightfield, plan achromatic metallurgical objectives mounted under the stage. The stage includes a circular mount to make polarised light observation rotation simple. The focussing tension can be adjusted and a focus lock protects the objectives from damage. Illumination is provided from a high intensity 50W halogen lamphouse with adjustable intensity, field and aperture diaphragms and set of Y, G, B and diffusion filters.

Options include a range of camera adapters, digital cameras, image analysis software, additional



GX Microscopes

product datasheet

Routine, Research & Semiconductor Upright Materials Microscopes

Specifications ● std ○ option					
Component	Microscope Model				
	GXML2003AHTG	GXML3003	GXML3030	GXML3230BD	GXXMJL101A
Trinocular Head with Phototube (requires specific camera adapter)	●	●	●	●	●
Retractable Analyser in Head	●	●	●	●	●
Pair 10X WF Eyepieces	●	●	●	●	●
Pair 16X WF Eyepieces	○	○	○	○	○
10x Eyepiece with Reticle 10mm/100 Scale Crosshair	○	○	○	○	○
Rotatable Polariser in light path	●	●	●Reflected (Transmitted optional)	●Reflected (Transmitted optional)	●
PLL Plan Achromatic, non-coverslip corrected objectives (coverslip corrected optional):					
5X/4X NA 0.10/0.12	4X●	5X●	5X●	5X● Infinity BF/DF	●
10x NA 0.25	●	●	●	● Infinity BF/DF	●
20x NA 0.40	○	●	●	● Infinity BF/DF	●
40x NA 0.60	●	○	○	● Infinity BF/DF	●
50x NA 0.70	○	●	●		
60x NA 0.75	●	○	○	○ Infinity BF/DF	
80x NA 0.80	○	○	○	○ Infinity BF/DF	●
100X dry NA 0.85	○	○	○	○ Infinity BF/DF	
Quadruple nosepiece	●	●	●	●	
Quintuple Nosepiece	○	○	○	○	●
Stage type	Double layer mechanical 210mmX140mm Movement range: 75mmX50mm No hole	Double layer mechanical 210mmX140mm Movement range: 75mmX50mm No hole	Double layer mechanical 210mmX140mm Movement range: 75mmX50mm With hole	Double layer mechanical 210mmX140mm Movement range: 75mmX50mm With hole	Three layer mechanical 280mmX270mm Movement range: 204mmX204mm With high speed glide handle
Reflected Light Adjustable	20W ●	20W ●	20W ●	50W ●	20W ●
Transmitted Light Adjustable			20W ●	50W ●	
Field and aperture Diaphragms, rotatable filter wheel	●	●	●	●	●
Darkfield insert				●	
Abbe Condenser on rack and pinion NA 1.25			●	●	
Camera Adapters 0.5X, 1X cmount Canon A640	○	○	○	○	○
Digital cameras up to 14MP	○	○	○	○	○
Imaging Software	○	○	○	○	○

GX Microscopes

product datasheet

Routine, Research & Semiconductor Inverted Materials Microscopes

Specifications • std ○ option BF:Brightfield DF: Darkfield		
Component	GXMXJL17AT	GXMXJL20(BD)
Trinocular Head with Phototube (requires specific camera adapter)	•	
Binocular Head with separate side camera port with 100% light to camera lever		•
Analyser in Head		•
Pair 10X WF Eyepieces	• FN20	• FN22
Pair 16X WF Eyepieces	○	○
10x Eyepiece with Reticle 10mm/100 Scale Crosshair	○	○
Rotatable Polariser in light path		•
Darkfield Lever		•
5X NA 0.12	○ BF	○ BF (BF/DF) infinity
10x NA 0.25	• BF	• BF (BF/DF) infinity
20x NA 0.40	• BF	• BF (BF/DF) infinity
40x NA 0.60	• BF	○ BF (BF/DF) infinity
50x NA 0.70		• BF (BF/DF) infinity
60x NA 0.75	• BF	○ BF (BF/DF) infinity
80X NA 0.80	○ BF	• BF (BF/DF) infinity
100X dry NA 0.85	○ BF	○ BF infinity
Quadruple nosepiece	•	
Quintuple Nosepiece		•
Stage type	Double layer mechanical 180mmX150mm Movement range: 15mmX15mm	Double layer mechanical 180mmX150mm Movement range: 30mmX30mm Circular insert
20W 6V Reflected Light Adjustable	•	
50W 12V Light Adjustable		•
Field and aperture Diaphragms	•	•
Camera Adapters 0.5X, 1X c-mount Canon A640	○	○
Digital cameras up to 14MP	○	○
Imaging Software	○	○