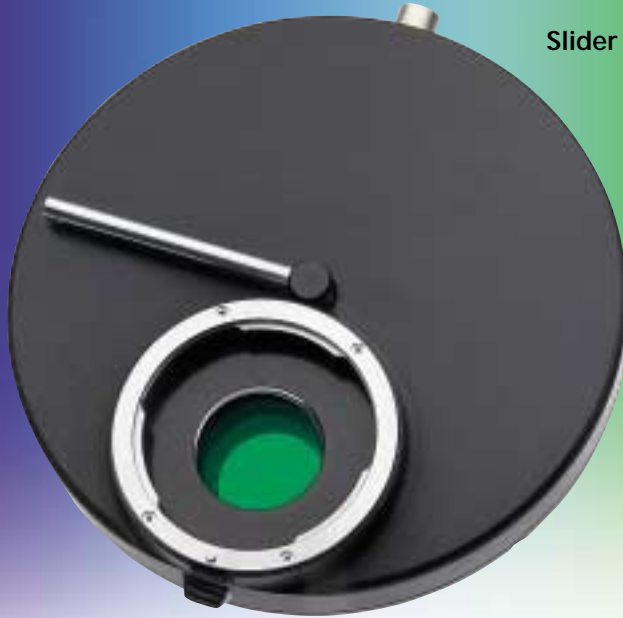


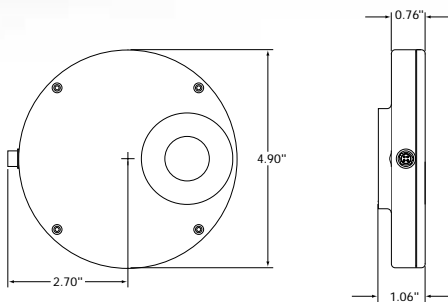
RGB COLOR FILTER

Allows Monochrome Cameras To Produce High Quality Color Images

Slider Module



Non-Slider Module



The RGB Color Filter modules are designed for use with QImaging's line of high-resolution monochrome CCD cameras to capture high quality color images. Color information is captured by sequentially acquiring full resolution images in each of the color planes. The filter is switched through its red, green, and blue states under direct control by the camera hardware. The camera hardware provides highly synchronized and precise timing to the filter module resulting in artifact-free imaging at frame rates much faster than most mechanically selected filters and acousto-optical or liquid crystal filters that require software control. White balance is controlled easily through software. The RGB Color Filter mounts to the camera C-mount and is connected to the camera's electronics with a single cable.

FILTER FORMATS

■ RGB Color Filter Slider Module

Model: RGB-S

The RGB Liquid Crystal Color Filter Slider module allows for the color filter element to be moved into and out of the field of view. The slider provides for easy switching from color to monochrome imaging.

■ RGB Color Filter Non-Slider Module

Model: RGB-NS

The RGB Liquid Crystal Color Filter module is compact and can be easily removed for monochrome imaging.

FEATURES

Liquid crystal filter element

Single cable connection to QImaging cameras

Sequential acquisition of color

Provides color even when camera is in binning modes

Filter element easily slides out of optical path

BENEFITS

- High quality color images with high resolution monochrome CCD cameras
- Filter color changes with no moving parts
- No vibration
- No optical registration problems

- Easy to install and use
- Controlled by QImaging cameras

- Full resolution image in each color plane

- High sensitivity and speed

- Enables quick switch between full color and high sensitivity monochrome imaging without refocussing

RGB COLOR FILTER SPECIFICATIONS

APPLICATIONS

- Brightfield Microscopy
- Fluorescence Microscopy
- Pathology, Histology, Cytology
- FISH
- DNA Analysis
- Metallurgical Microscopy
- Forensic Analysis

| | |
|-----------------------|-----------------------------------|
| Color States | Red, green, blue |
| Transmission | 30 min* |
| Maximum Optical Input | 500 mW/cm ² |
| Module Control | Camera controlled |
| Temperature Range | +10°C to +45°C |
| Optical Mount | Nikon F-Mount (C-mount to camera) |

** Transmission is doubled for polarized light
Note: Specifications are nominal and subject to change.*



04-0012B-A



GT Visio Ltd
Cherry Gdns Ind Est, Helions Bumpstead Rd, Haverhill, Suffolk, CB9 7AA, UK
Tel +44(0)1440 714737
Fax +44(0)1440 709421
sales@gt-vision.com
WWW.GT-VISION.COM